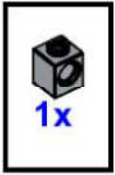
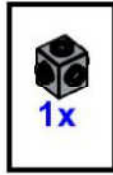


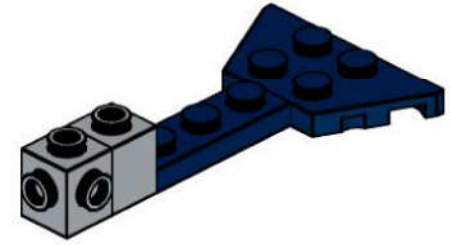
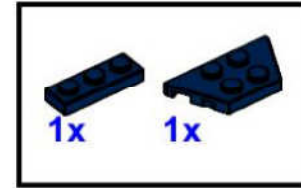
1



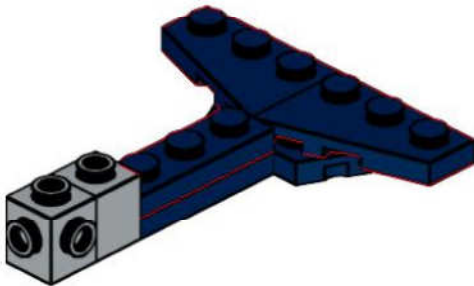
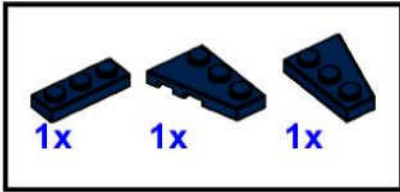
2



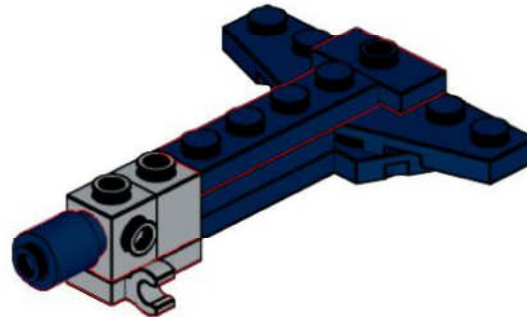
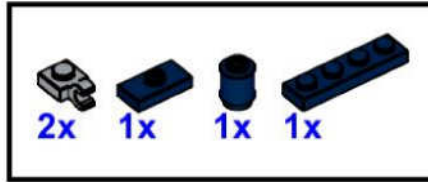
3



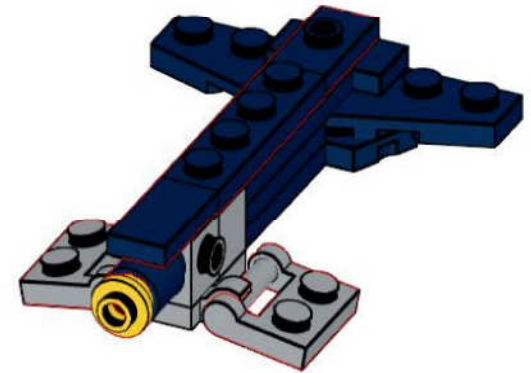
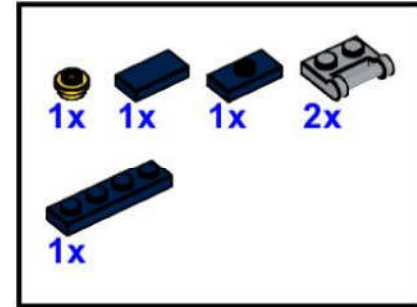
4



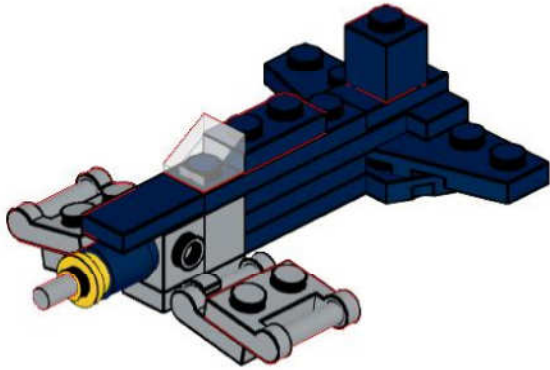
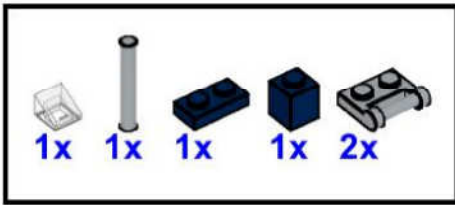
5



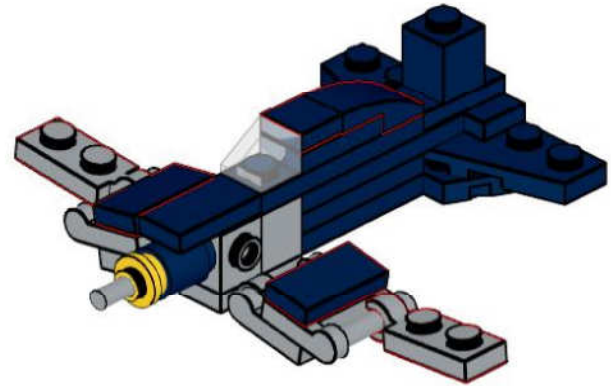
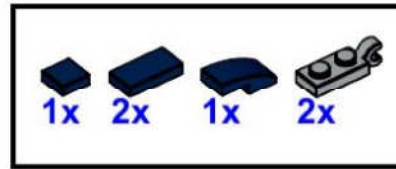
6



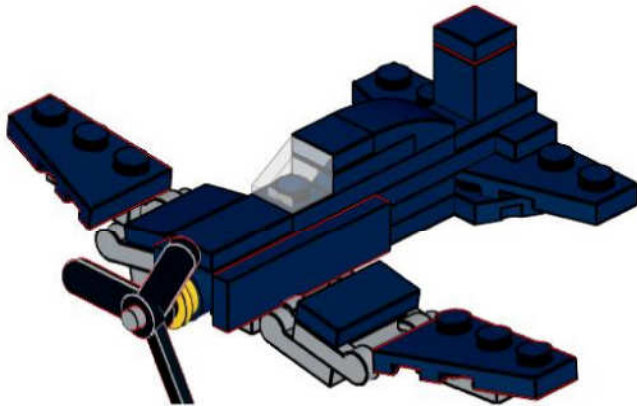
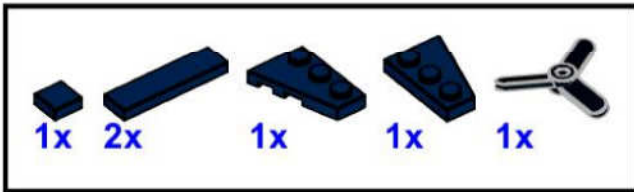
7



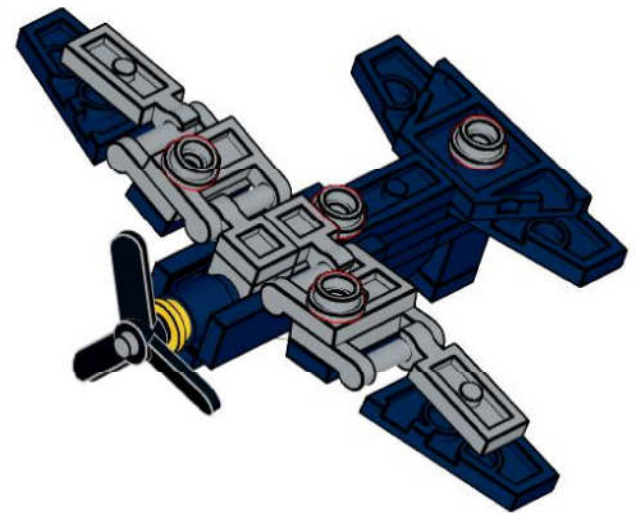
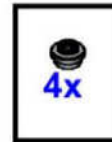
8



9



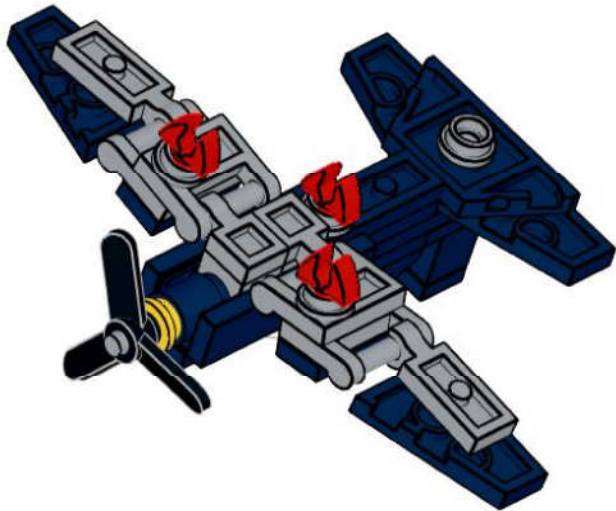
10



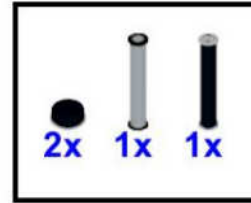
11



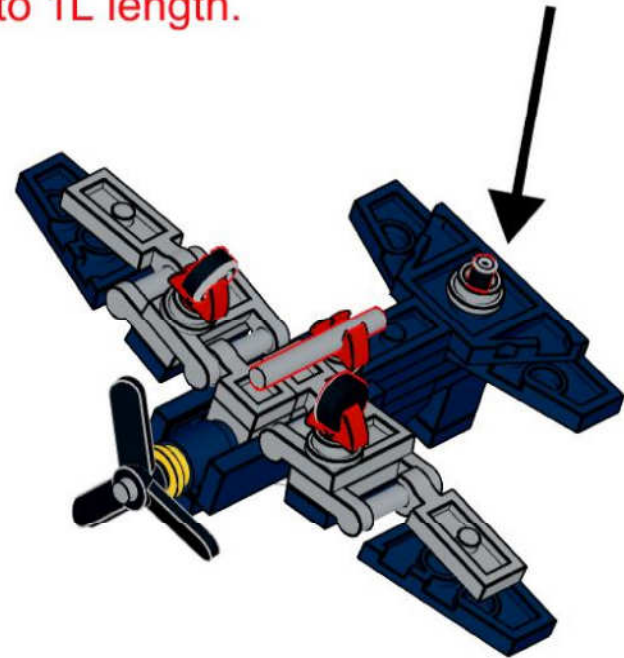
REQUIRED - Replace red bar clips with Brickarms monopods.



12



REQUIRED - Cut black rigid hose to 1L length.



# NK CUSTOM BRICKS MICRO WARBIRDS F-4U CORSAIR (DARK BLUE) PARTS LIST

Part #	Color	Quantity	Description
2421	Black	1	Propellor 3 Blade 4 Diameter
76263	Black	1	Technic Flex-System Hose 3L - Cut to 3/16" length
98138	Black	2	Tile 1 x 1 Round with Groove
3005	Dark Blue	1	Brick 1 x 1
3062b	Dark Blue	1	Brick 1 x 1 Round with Hollow Stud
3023	Dark Blue	1	Plate 1 x 2
15573	Dark Blue	2	Plate 1 x 2 with Groove with 1 Centre Stud, without Understud
3623	Dark Blue	2	Plate 1 x 3
3710	Dark Blue	2	Plate 1 x 4
11477	Dark Blue	1	Slope Brick Curved 2 x 1
3070b	Dark Blue	2	Tile 1 x 1 with Groove
3069b	Dark Blue	3	Tile 1 x 2 with Groove
2431	Dark Blue	2	Tile 1 x 4 with Groove
43723	Dark Blue	2	Wing 2 x 3 Left
43722	Dark Blue	2	Wing 2 x 3 Right
51739	Dark Blue	1	Wing 2 x 4
	Gunmetal	3	<b>BRICKARMS MONOPOD</b>
87994	Light Bluish Grey	2	Bar 3L
4733	Light Bluish Grey	1	Brick 1 x 1 with Studs on Four Sides
85861	Light Bluish Grey	4	Plate 1 x 1 Round with Open Stud
61252	Light Bluish Grey	2	Plate 1 x 1 with Clip Horizontal (Thick C-Clip)
63868	Light Bluish Grey	2	Plate 1 x 2 with Clip Horizontal on End (Thick C-Clip)
48336	Light Bluish Grey	4	Plate 1 x 2 with Handle Type 2
6541	Light Bluish Grey	1	Technic Brick 1 x 1 with Hole
54200	Trans Clear	1	Slope Brick 31 1 x 1 x 0.667
85861	Yellow	1	Plate 1 x 1 Round with Open Stud

Total: 47